

## Super 6DoF TrackArm

The Most Versatile Portable 3D Measurement System

### Multifaceted 6-Degrees-of-Freedom Capabilities Without Compromise



The FARO® Super 6DoF TrackArm is the most versatile portable 3D measurement system that brings together the latest advancements in FARO's 3D measurement technology to deliver a solution that allows flexibility, ease of use and un-compromised accuracy for your most demanding 3D measurement needs. The system combines the long-range and high accuracy capabilities of FARO's Laser Tracker with the flexibility, detail, and consistency of the FaroArm® and/or ScanArm.

The Laser Tracker locates the FaroArm into a common coordinate system through a simple motion of the FaroArm, after which the measurement process can start. Points from all measurement locations can then be combined and visualized in real-time within the measurement software and compared to the nominal data.

The FaroArm enables flexible measurement of any object where even hidden points around corners and inside features

can be reached. This gives the FARO Super 6DoF TrackArm the unique capability of reaching hidden points even if they are out of the Laser Tracker's line-of-sight, while still maintaining the measurement integrity of the entire system. This seamless combination also allows the FaroArm to be quickly repositioned anywhere within the Laser Tracker's measurement range while remaining in the same coordinate system. Additionally, the system allows for multiple FaroArms to be simultaneously used in conjunction with one Laser Tracker as long as they are within the same coordinate system. This flexibility offers multiple measurement possibilities on large objects that would normally be beyond the reach of a single FaroArm by itself.

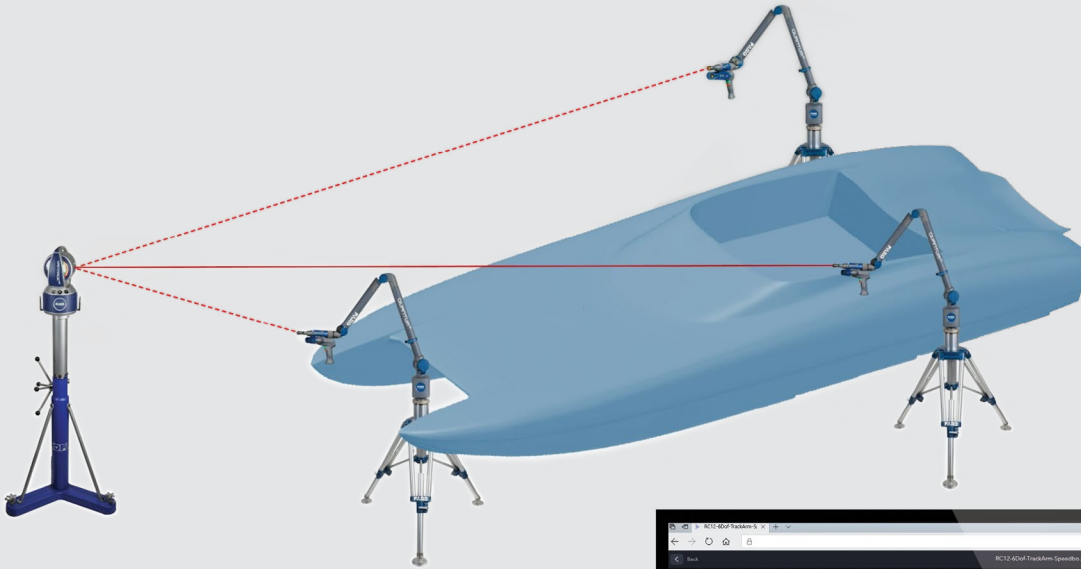
FARO's Super 6DoF TrackArm delivers fast, precise 3D measurement without compromise. Best of all, the FaroArm and Laser Tracker are stand-alone portable CMMs that can also be used independently or in combination to create this multi-purpose FARO Super 6DoF TrackArm system.

### Benefits

- Expanded measurement range
- Flexibility, more detail, high resolution, and superior accuracy
- No line-of-sight limitations — the only tracker solution that is able to measure without line-of-sight
- Large-volume measurement at a fraction of the cost of comparable systems
- Easy to use and quick alignment of multiple devices saves set-up and measurement time
- Each device can also be used independently when needed, improving resource efficiency

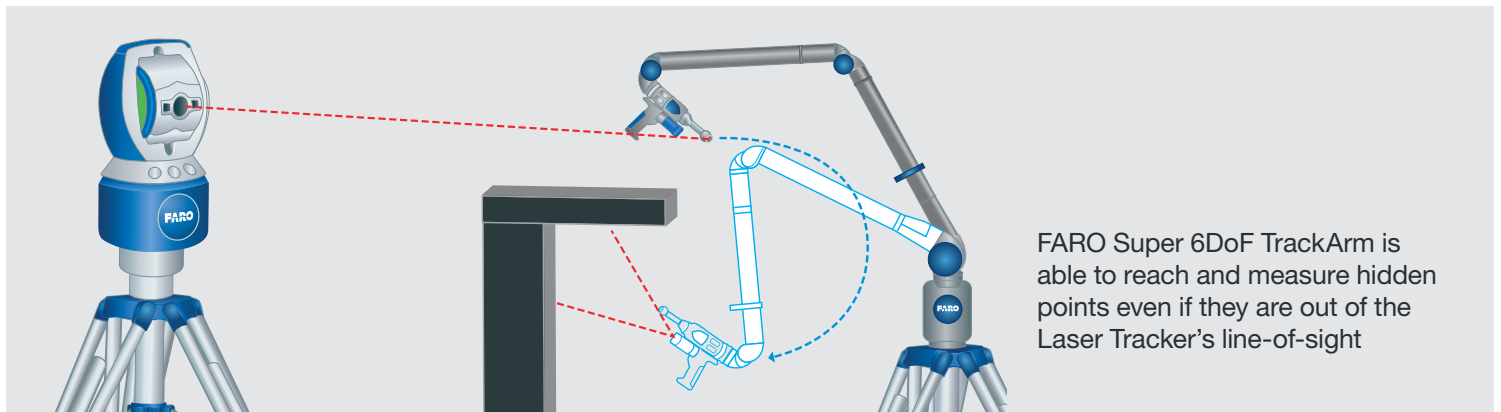
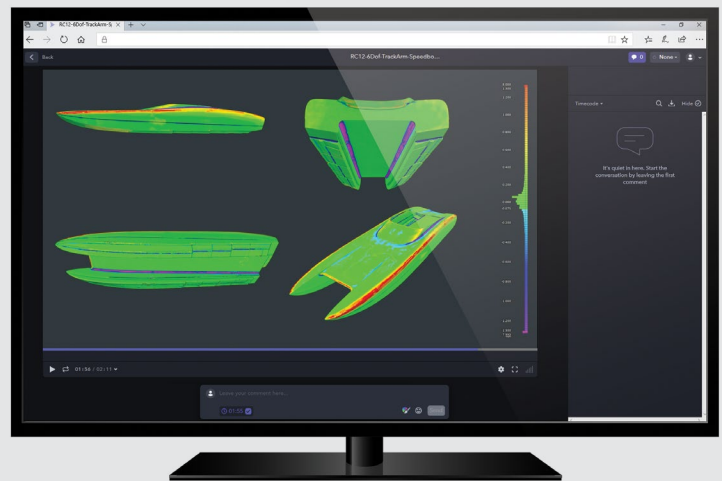
### Features

- Seamless combination of two, or more, portable CMMs into one complete large-volume measurement solution
- 6DoF (6-Degrees-of-Freedom) capabilities with no hidden point restrictions
- Ultimate portability with cable-free operation



## Large Volume Measurement Example

- Use multiple ScanArms simultaneously
- An unlimited number of ScanArm locations
- Flexibility re-defined
- Results you can count on



FARO Super 6DoF TrackArm is able to reach and measure hidden points even if they are out of the Laser Tracker's line-of-sight

## FARO Super 6DoF TrackArm System

Typical Measurement Performance (complete TrackArm system):  $80\mu\text{m} + 5\mu\text{m}/\text{m}$

Please refer to individual product's tech sheets for FARO Arms and Laser Trackers for more detailed technical information of each component of the solution.

For more information, call 800.736.0234 or visit [www.faro.com](http://www.faro.com)  
 FARO Technologies, Inc. | 250 Technology Park | Lake Mary, FL 32746

